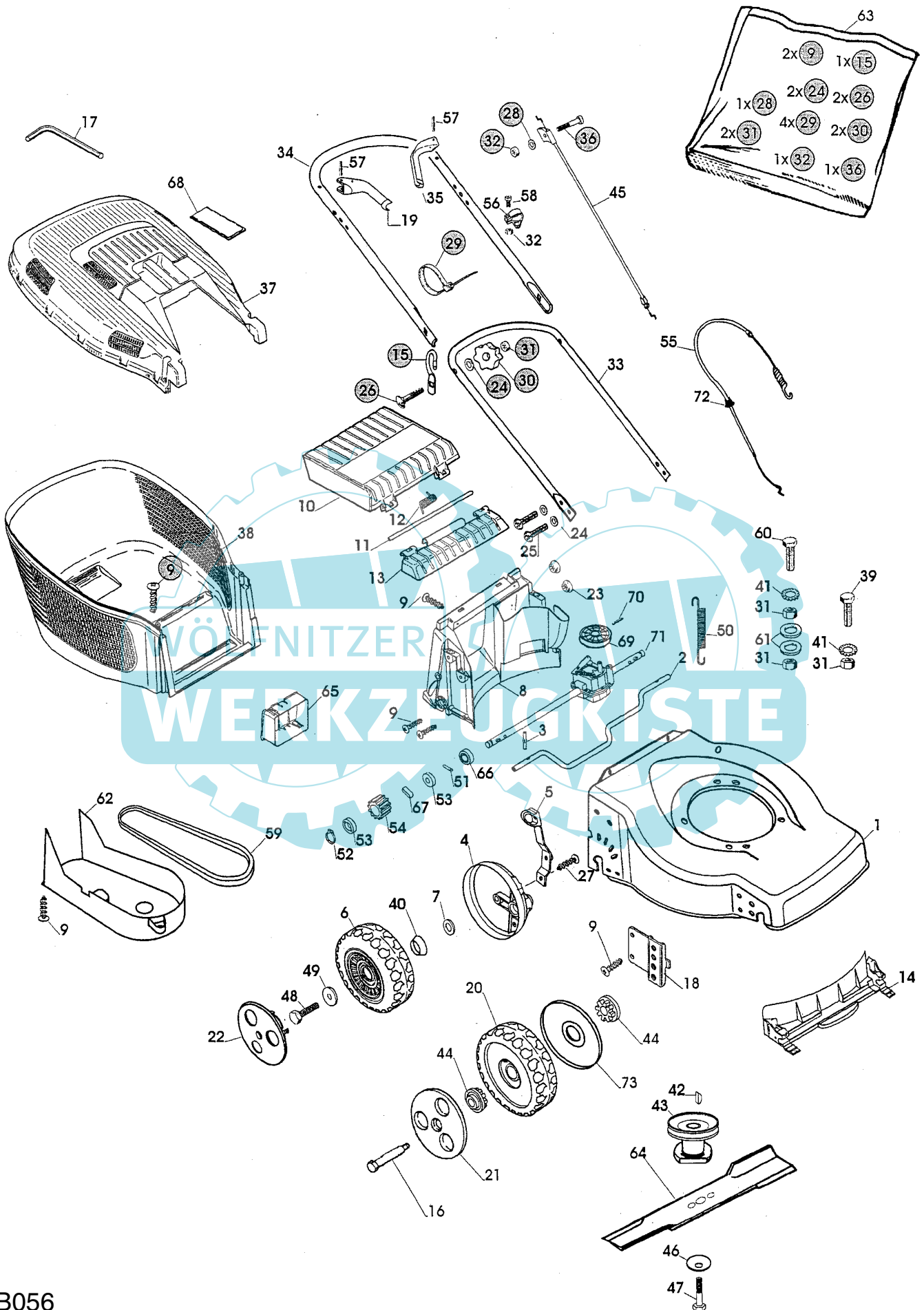


B056



Ausgabe Issue		Bild Nr Picture No		HANSEATIC 45 BA		HANSEATIC 45 BA		Seite Page	
2002- 2		B056						12	
Pos. Fig.	Anzahl/Quantity				Artikel Nr. Part No	Bezeichnung	Description	Satz Kit	Anmerkung Notes
	321 837	321 849	321 850	361 837					
X 1	1	1	1	1	1117-3262-05	Chassie .....	Chassis .....		
2	1	1	1	1	1117-1160-01	Hinterachse .....	Shaft- backside.....		
3	2	2	2	2	9595-0212-00	Spannstift .....	Locating pin .....		
4	2	2	2	2	1117-3256-01	Raddeckel .....	Wheel protection cap .....		
5	1	1	1	1	1117-1174-01	Höheneinstellhebe .....	Height adjust lever .....		
6	2	2	2	2	1111-2663-01	Rad .....	Wheel .....		
7	2	2	2	2	9699-0037-02	Scheibe .....	Washer .....		
8	1	1	1	1	1117-3008-01	Leitschiene- hintere .....	Baffle- rear .....		
9	14	14	14	14	9836-9516-12	Schraube .....	Screw .....		
10	1	1	1	1	1117-1156-02	Klappe- schwarz .....	Rear flap- black .....		
11	1	1	1	1	1117-1143-01	Achse .....	Shaft .....		
12	1	1	1	1	1117-1126-01	Feder .....	Spring- rear flap .....		
13	1	1	1	1	1117-1155-02	Klapphalterung- schw. ....	Flap holder- black .....		
14	1	1	1	1	1117-3007-01	Leitschiene- vordere .....	Baffle- front .....		
15	1	1	1	1	1117-1116-01	Schnurhalter .....	Rope holder .....		
16	2	2	2	2	1117-3223-01	Ansatzbolzen .....	Shoulder bolt .....		
17	1	1	1	1	1117-1355-01	Schlüssel .....	Socket wrench .....		
18	2	2	2	2	1117-3009-01	Radplatte .....	Wheel plate .....		
19	1	1	1	1	1117-3222-01	Regulierbügel .....	Control lever .....		
20	2	2	2	2	1111-3163-01	Rad .....	Wheel .....		
21	2	2	2	2	1117-3224-02	Nabenkapsel- weiß .....	Hub cap- white .....		
22	2	2	2	2	1111-2815-03	Nabenkapsel- weiß .....	Hub cap- white .....		
23	4	4	4	4	1117-1131-01	Mutter .....	Nut .....		
24	6	6	6	6	9699-0028-02	Scheibe .....	Flat washer .....		
25	4	4	4	4	1117-1364-01	Schraube .....	Screw .....		
26	2	2	2	2	9898-0845-12	Schraube .....	Screw .....		
27	2	2	2	2	9836-9512-12	Schraube .....	Screw .....		
28	1	1	1	1	9699-0025-02	Scheibe .....	Washer .....		
29	4	4	4	4	9579-0008-00	Kabelhalter .....	Cable holder .....		
30	2	2	2	2	1117-3194-01	Verriegelungsrad .....	Locking knob .....		
31	6	6	6	6	9799-0831-02	Mutter .....	Nut .....		
32	2	2	2	2	9799-0631-02	Mutter .....	Nut .....		
33	1	1	1	1	1117-1149-01	Führungsholm- Untert. ....	Handle- lower part .....		
34	1	1	1	1	1117-1223-01	Führungsholm- Obert. ....	Handle- upper part .....		
35	1	1	1	1	1117-3221-01	Regulierbügel .....	OPC lever .....		
36	1	1	1	1	9948-0640-16	Schraube .....	Screw .....		
37	1	1	1	1	1117-1157-02	Behälterdeckel- schwar. ....	Grassbag cover- black .....		Inkl. 68
38	1	1	1	1	1117-1218-01	Behälter- Unterteil .....	Lower grass bag .....		
39	2	2	2	2	9997-0830-16	Schraube .....	Screw .....		
40	4	4	4	4	1111-1273-01	Buchse .....	Bushing .....		
41	3	3	3	3	9678-0009-02	Schloßscheibe .....	Lock washer .....		
42	1	1	1	1	9600-0014-00	Keil .....	Key .....		
43	1	1	1	1	1111-9716-01	Messerhalterung .....	Blade holder .....		
44	4	4	4	4	1117-3012-01	Lagerbuchse .....	Wheel bush .....		
45	1	1	1	1	1117-1183-01	Motorbremsdraht .....	Engine brake cable .....		Briggs & Stratton Tecumseh
X 45					1117-3273-01	Motorbremsdraht .....	Engine brake cable .....		
46	1	1	1	1	1117-1065-01	Tellerfeder .....	Spring washer .....		
47	1	1	1	1	9987-5251-12	Schraube .....	Screw .....		
48	2	2	2	2	9997-0614-16	Schraube .....	Screw .....		
49	2	2	2	2	1117-1175-01	Scheibe .....	Washer .....		
50	1	1	1	1	1117-1120-01	Feder .....	Spring .....		
51	2	2	2	2	9591-0011-00	Stift .....	Pin .....		
52	2	2	2	2	1117-1083-01	Schließring .....	Safety ring .....		
53	4	4	4	4	1111-2830-01	Stützscheibe .....	Support washer .....		
54	2	2	2	2	1111-3075-01	Zahnrad .....	Gear wheel .....		
55	1	1	1	1	1117-1191-01	Kupplungsdraht .....	Control cable .....		Inkl. 72
56	1	1	1	1	1117-1114-01	Drahthalter .....	Support .....		
57	2	2	2	2	9595-0258-00	Spannstift .....	Locating pin .....		
58	1	1	1	1	9865-0616-16	Schraube .....	Screw .....		
59	1	1	1	1	1117-3017-01	Keilriemen .....	V- belt .....		
60	1	1	1	1	9997-0840-16	Schraube .....	Screw .....		
61	2	2	2	2	9699-0062-02	Scheibe .....	Flat washer .....		
62	1	1	1	1	1117-1147-01	Riemenschutz .....	Transmission cap .....		



B056



Ausgabe Issue 2002- 2		Bild Nr Picture No B056		HANSEATIC 45 BA		HANSEATIC 45 BA		Seite Page 14	
Pos. Fig.	Anzahl/Quantity				Artikel Nr. Part No	Bezeichnung	Description	Satz Kit	Anmerkung Notes
	321 837	321 849	321 850	361 837					
X 63	1	1	1	1	1117- 3030- 01	Montagesatz .....	Assy kit .....		
64	1	1	2	1	1111- 9723- 01	Messer .....	Blade .....		
65	1	1	1	1	1111- 2927- 01	Batteriehalter .....	Battery holder .....		
66	2	2	2	2	9549- 0053- 00	Kugellager .....	Ball bearing .....		
67	2	2	2	2	1111- 3256- 01	Treibkeil .....	Drive key .....		
68	1	1	1	1	1117- 1135- 02	• Deckel- schwarz .....	• Cover- black .....		
69	1	1	1	1	1117- 3018- 01	• Riemenscheibe .....	• Pulley .....		
70	1	1	1	1	1111- 2382- 01	• Stift .....	• Pin .....		
71	1	1	1	1	1117- 3016- 01	Getriebe .....	Gear box assy .....		Inkl. 69 + 70
72	1	1	1	1	1134- 3203- 04	• Kabelhülse .....	• Cable protector .....		
73	2	2	2	2	1117- 1161- 01	Radschutz .....	Wheel protection .....		

